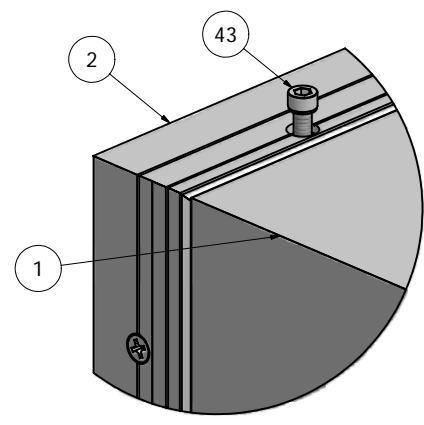
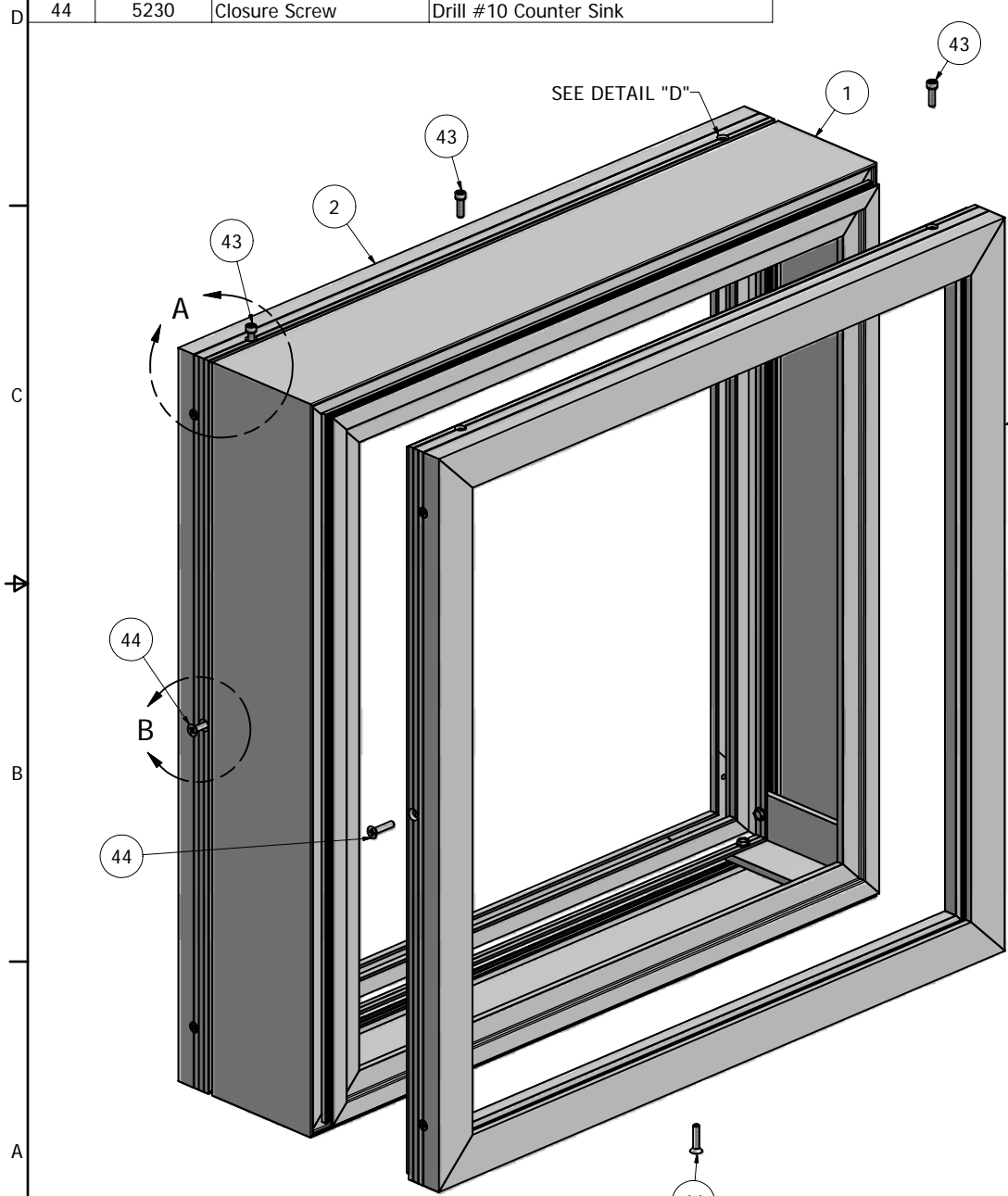
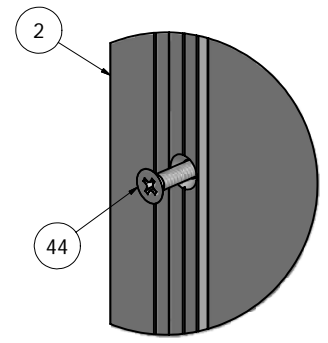


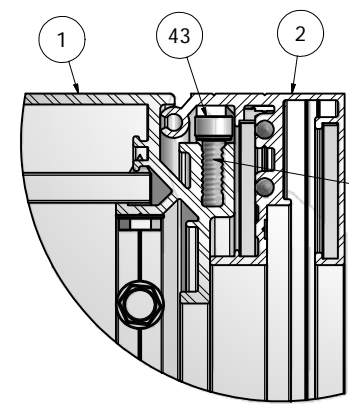
Parts List			
ITEM	PART #	DESCRIPTION	NOTES
1	1592	Series 7 Hinge Body	Assembly
2	1624/90/94	Slide Retainer	Assembly
43	5280	Hinge Screw	Drill 11/32" Pilot Hole
44	5230	Closure Screw	Drill #10 Counter Sink



DETAIL A



DETAIL B



DETAIL C

DRIVE THE HINGE SCREW DOWN INTO THE BODY SO THE HEAD OF THE HINGE SCREW IS UNDER THE SLIDE RETAINER AS SHOWN.

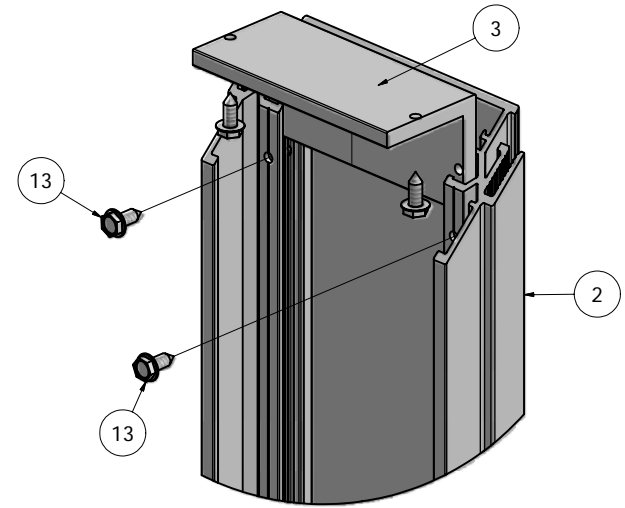
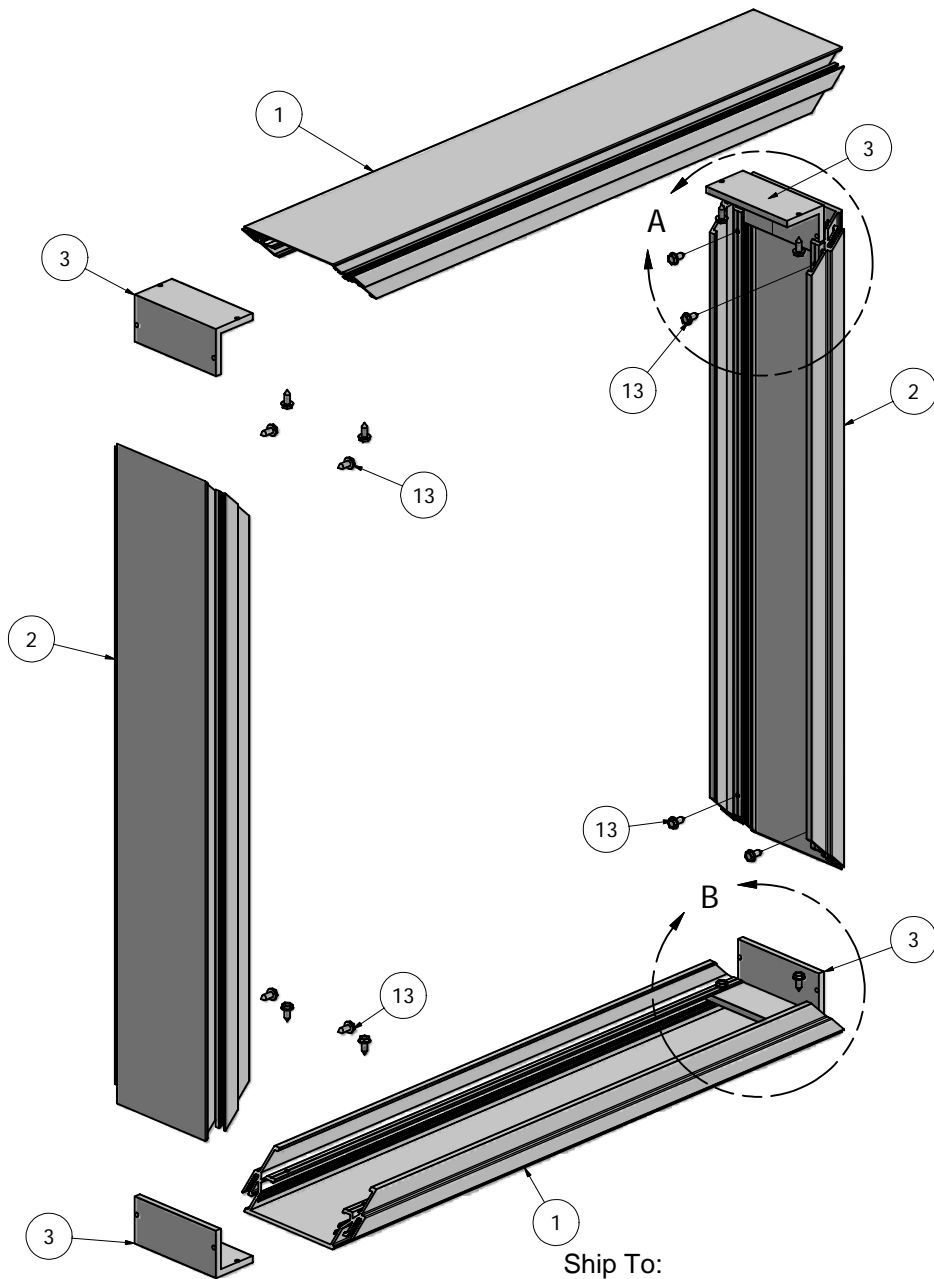
NOTE: PRE-CUT KITS ARE NOT PRE-DRILLED.
 (Holes shown in this drawing are for reference only.
 Drilling of pilot holes are to be done by fabricator.)

THIS DRAWING WAS CREATED AT NO CHARGE TO ASSIST YOU IN VISUALIZING OUR PROPOSAL. THE DRAWING HEREIN IS THE PROPERTY OF SIGNCOMP. PERMISSION TO COPY OR REVISE THIS DRAWING OR TO USE THIS DRAWING FOR PRODUCTION IS STRICTLY PROHIBITED AND CAN ONLY BE COPIED, REVISED OR USED FOR PRODUCTION WITH THE EXPRESSED WRITTEN PERMISSION OF SIGNCOMP.

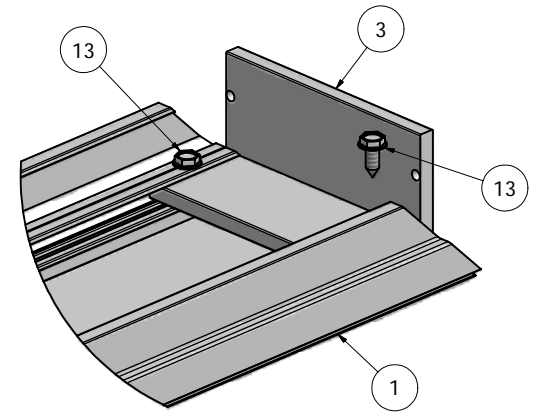
DRAWN	12/17/2008	SignComp	
CHECKED			
QA		TITLE	
MFG		Series 7 Hinge Body with Slide Retainer - Assembly	
APPROVED		SIZE	DWG NO
		C	K1592/24/90/94
		SCALE	REV
			SHEET 1 OF 1

Ship To:
 Order #:

Parts List			
ITEM	PART #	DESCRIPTION	NOTES
1	1592	Series 7 Hinge Body	Top & Bottom
2	1592	Series 7 Hinge Body	Sides
3	5344	Series 7 Hinge Body Corner Angle	
13	5218	Corner Angle Screw	Drill 5/32" Pilot Hole



DETAIL A



DETAIL B

NOTE: PRE-CUT KITS ARE NOT PRE-DRILLED.

(Holes shown in this drawing are for reference only.
Drilling of pilot holes are to be done by fabricator.)

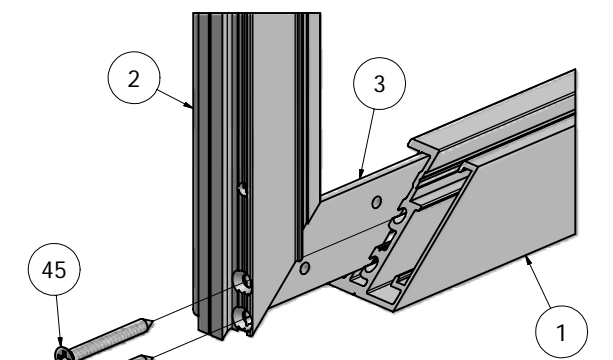
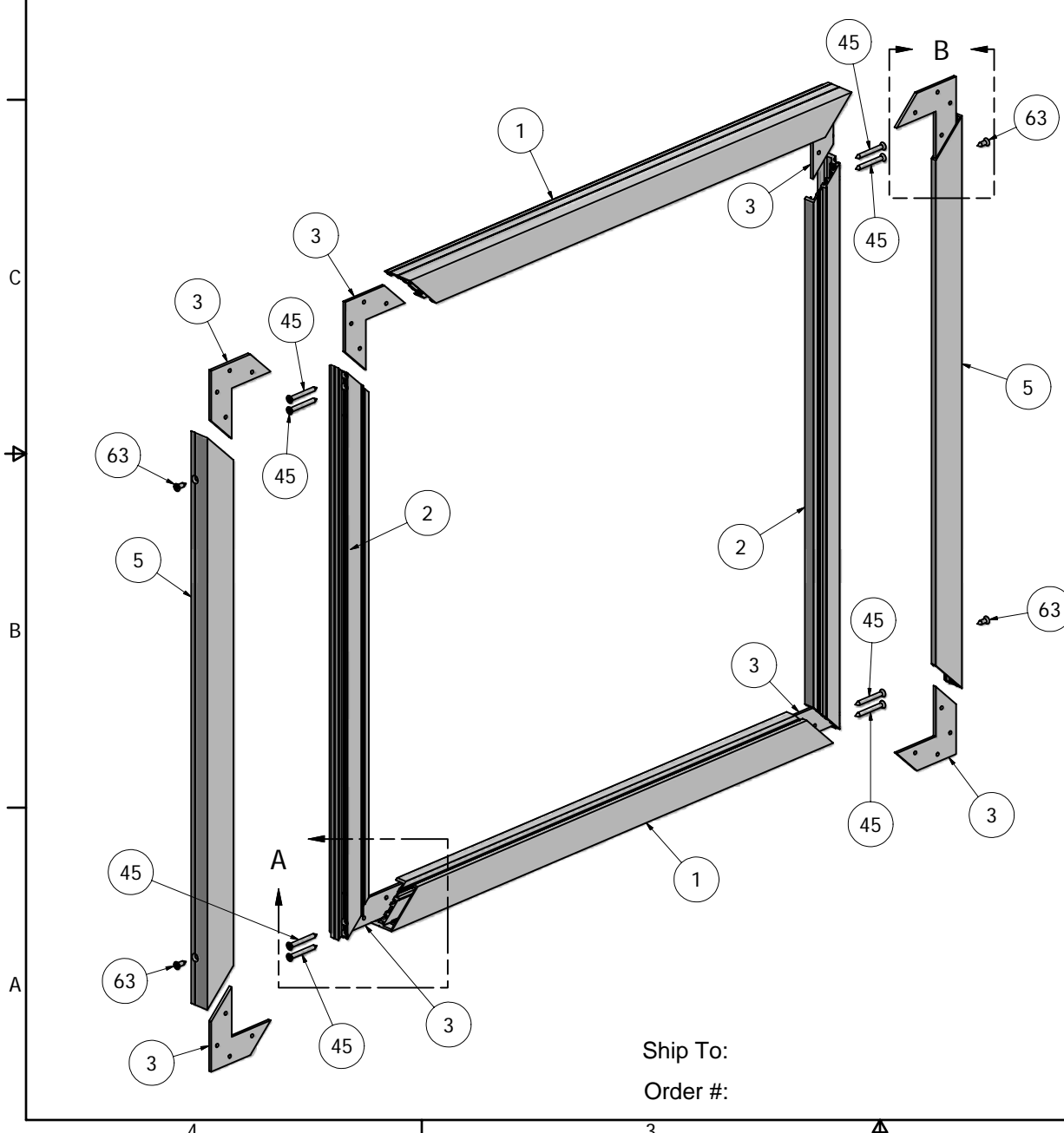
THIS DRAWING WAS CREATED AT NO CHARGE TO ASSIST YOU IN VISUALIZING OUR PROPOSAL. THE DRAWING HEREIN IS THE PROPERTY OF SIGNCOMP. PERMISSION TO COPY OR REVISE THIS DRAWING OR TO USE THIS DRAWING FOR PRODUCTION IS STRICTLY PROHIBITED AND CAN ONLY BE COPIED, REVISED OR USED FOR PRODUCTION WITH THE EXPRESSED WRITTEN PERMISSION OF SIGNCOMP.

DRAWN Steve	12/12/2008	SignComp					
CHECKED					TITLE		
QA					Series 7 Hinge Body - Assembly		
MFG					SIZE C	DWG NO K1592	REV
APPROVED		SCALE	SHEET 1 OF 1				

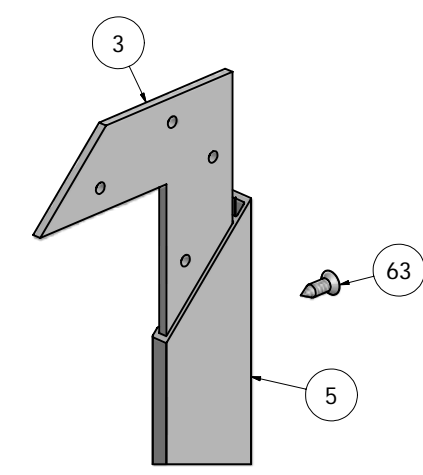
Ship To:

Order #:

Parts List			
ITEM	PART #	DESCRIPTION	NOTES
1	1624	Slide Retainer	Top & Bottom
2	1690	Access Frame	Sides
3	5210	Corner Key	Pre-Punched
45	5270	Slide Retainer Corner Screw	Pre-Drilled #8 Counter Sink
5	1694	Slide Cover	Sides
63	5168	Slide Cover Screw	Drill #8 Counter Sink



DETAIL A



DETAIL B

NOTE: PRE-CUT KITS ARE NOT PRE-DRILLED.
 (Holes shown in this drawing are for reference only.
 Drilling of pilot holes are to be done by fabricator.)

THIS DRAWING WAS CREATED AT NO CHARGE TO ASSIST YOU IN VISUALIZING OUR PROPOSAL. THE DRAWING HEREIN IS THE PROPERTY OF SIGNCOMP. PERMISSION TO COPY OR REVISE THIS DRAWING OR TO USE THIS DRAWING FOR PRODUCTION IS STRICTLY PROHIBITED AND CAN ONLY BE COPIED, REVISED OR USED FOR PRODUCTION WITH THE EXPRESSED WRITTEN PERMISSION OF SIGNCOMP.				
DRAWN	12/15/2008	<div style="text-align: center;">SignComp</div>		
Steve				
CHECKED				
QA				
MFG				
APPROVED		Slide Retainer - Assembly		
		SIZE	DWG NO	REV
		C	K1624/90/94	
		SCALE	SHEET 1 OF 1	

Ship To:
 Order #: